



BLUE AIR

Commercial Refrigeration, Inc.



BASR1

Reach -In
Solid 1 Door
Refrigerator



[www. BLUEAIRinc.com](http://www.BLUEAIRinc.com)

15001 S. Broadway St., Gardena, CA. 90248

1-866-677-8500/310-808-0102 Fax: 310-808-0242 / 310-808-0262

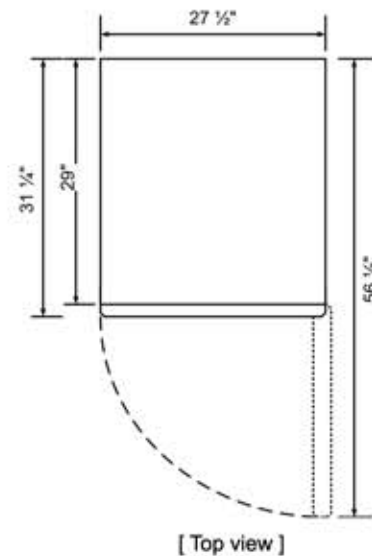
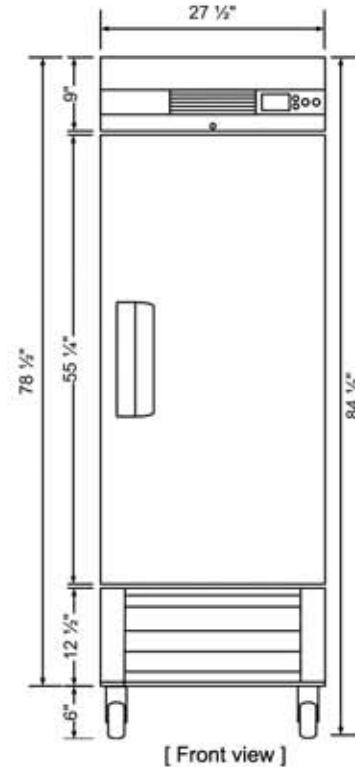
BASR1

REACH-IN SOLID 1 DOOR REFRIGERATOR

MODEL NAME	BASR1
PRODUCT DESCRIPTION	Refrigerator
DOOR	1 Swing Door
EXTERIOR(W X D X H)	27 1/2" x 31 1/4" x 78 1/2"
INTERIOR(W X D X H)	23 3/4" x 25" x 61"
CAPACITY(Cu. Ft.)	23 Cu. Ft.
NET WEIGHT(lbs)	288 lbs
POWER	115V / 60 Hz
COMPRESSOR	3/8 Hp
AMPS	7.5 A
OPERATION TEMP.	32 ~40 °F
REFRIGERANT	R-134A
POWER CORD	9.8 Ft
PLUG-IN INSTALLATION	NEMA5-15P
SHELVES	4

* BLUE AIR has the right to change specifications without further notice.

- **STAINLESS STEEL INTERIOR AND EXTERIOR**
The excellent quality of stainless steel minimizes dents, scratches, and rust. It also maximizes and bright smooth sheen.
- **OVERSIZED REFRIGERATION STRUCTURE**
The compressor motor leads to a longer life without having to be replaced. The unit keeps the right temperature maintain food freshness.
- **DIGITAL TOTAL MONITORING SYSTEM**
Offers an automatic door alarm system, easy temperature adjustment, and a simple controlling defrost cycle.
- **FABRIC CONDENSATION KIT**
Absorbs the water from the defroster and evaporates naturally.
- **RECESSED DOOR HANDLES**
Our patented smooth and elegant door handles prevent shipping damage and handle breakage.
- **SELF-CONTAINED SYSTEM**
Simple installation with no plumbing. Includes a 9.8 foot long cord.
- **4" SWIVEL STANDARD CASTERS**
Our heavy-duty casters are equipped with two front locking casters.
- **BOTTOM MOUNT COMPRESSOR**
The bottom mount compressor structure is placed in the coolest possible area to provide quick and easy service. One advantage that this unit offers is the food sits higher, providing an ergonomic work environment.
- **ROUNDED CORNERS**
An elegant design with a more stable appearance and safety benefits.
- **DOOR STOP FOR LOADING AND UNLOADING**
Doors remain open at 110° and automatically-closing at 96°.
- **DOOR LOCKS**
Each door is equipped with individual locks.
- **FIELD DOOR REVERSIBLE**



WARRANTY

18 Months Parts and Labor,
5 Years on Compressor in USA

[www. BLUEAIR inc.com](http://www.BLUEAIR inc.com)



15001 S. Broadway St., Gardena, CA. 90248

1-866-677-8500/310-808-0102 Fax:310-808-0242 / 310-808-0262