



# BLUE AIR

*Commercial Refrigeration, Inc.*



## BAUR2

Undercounter  
2 Swing Doors  
Refrigerator



[www. BLUEAIRinc.com](http://www.BLUEAIRinc.com)

15001 S. Broadway St., Gardena, CA. 90248

1-866-677-8500/310-808-0102 Fax: 310-808-0242 / 310-808-0262

# BAUR2

## UNDERCOUNTER 2 SWING DOORS REFRIGERATOR

MODEL NAME	BAUR2
PRODUCT DESCRIPTION	Refrigerator
DOOR	2 Swing Doors
EXTERIOR(W X D X H)	48 1/2" x 30" x 30"
CAPACITY(Cu. Ft.)	13 Cu. Ft.
NET WEIGHT(lbs)	265 lbs
POWER	115v / 60 Hz
COMPRESSOR	3/8 Hp
AMPS	7.9 A
OPERATION TEMPERATURE	32~40 °F
REFRIGERANT	R-134A
POWER CORD	9 Ft
SHELVES	4

\* BLUE AIR has the right to change specifications without further notice.

● **STAINLESS STEEL INTERIOR, EXTERIOR**

The excellent quality of stainless steel minimizes dents, scratches, and rust. It also maximizes the tensile and bright smooth sheen. In addition our stainless steel offers long-life durability and easy maintenance.

● **6" DIAMETER SWIVEL CASTERS WITH BRAKES FOR THE FRONT**

● **RECESSED DOOR HANDLE**

● **OVERSIZED REFRIGERATION STRUCTURE**

The compressor is bigger than most competitive units and is balanced with a larger evaporator coil. The compressor motor leads to a longer life without having to be replaced. The unit keeps the right temperature to maintain food freshness

● **SELF-CLOSING DOOR**

● **SELF CONTAINED SYSTEM**

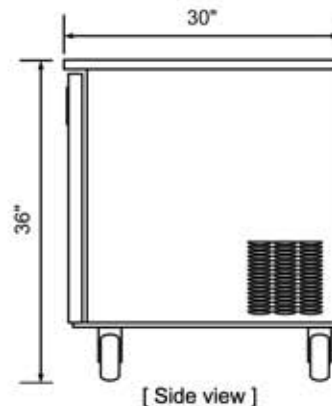
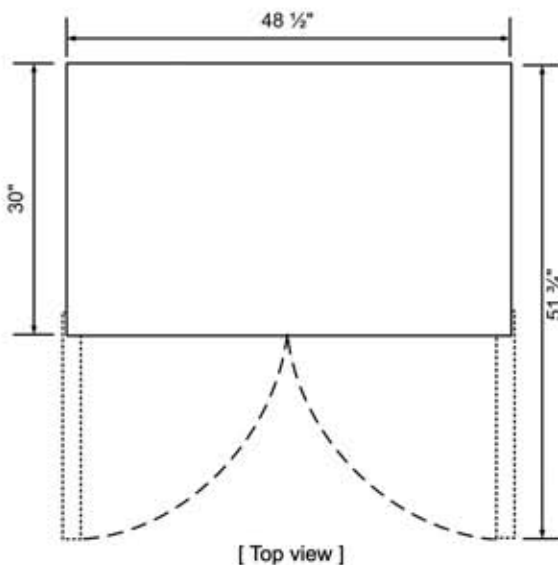
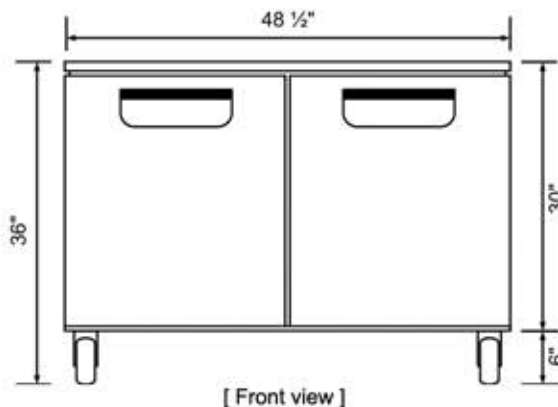
Simple installation with no plumbing. Comes with a 9 foot long cord efficiency.

● **CFC-FREE FOAMED-IN-PLACE POLYURETHANE WITH HIGH DENSITY**

With the extra density and high-capacity cells, There is more energy efficiency.

● **ELEGANT ROUND CORNER**

An elegant design with a more stable appearance and safety benefits



WARRANTY

18 Months Parts and Labor,  
5 Years on Compressor in USA

[www. BLUEAIR inc.com](http://www.BLUEAIR inc.com)



15001 S. Broadway St., Gardena, CA. 90248

1-866-677-8500/310-808-0102 Fax: 310-808-0242 / 310-808-0262