



BLUE AIR

Commercial Refrigeration, Inc.



BAUR1
Undercounter
1 Swing Door
Refrigerator



[www. BLUEAIRinc.com](http://www.BLUEAIRinc.com)

15001 S. Broadway St., Gardena, CA. 90248

1-866-677-8500/310-808-0102 Fax: 310-808-0242 / 310-808-0262

BAUR1

UNDERCOUNTER 1 SWING DOOR REFRIGERATOR

MODEL NAME	BAUR1
PRODUCT DESCRIPTION	Refrigerator
DOOR	1 Swing Door
EXTERIOR(W X D X H)	27 1/2" x 30" x 30"
CAPACITY(Cu. Ft.)	7 Cu. Ft.
NET WEIGHT(lbs)	185 lbs
POWER	115v / 60 Hz
COMPRESSOR	1/5 Hp
AMPS	3.2 A
OPERATION TEMPERATURE	32 ~ 40 °F
REFRIGERANT	R-134A
POWER CORD	9 Ft
SHELVES	2

* BLUE AIR has the right to change specifications without further notice.

● **STAINLESS STEEL INTERIOR, EXTERIOR**

The excellent quality of stainless steel minimizes dents, scratches, and rust. It also maximizes the tensile and bright smooth sheen. In addition our stainless steel offers long-life durability and easy maintenance.

● **6" DIAMETER SWIVEL CASTERS WITH BRAKES FOR THE FRONT**

● **RECESSED DOOR HANDLE**

● **OVERSIZED REFRIGERATION STRUCTURE**

The compressor is bigger than most competitive units and is balanced with a larger evaporator coil. The compressor motor leads to a longer life without having to be replaced. The unit keeps the right temperature to maintain food freshness

● **SELF-CLOSING DOOR**

● **SELF CONTAINED SYSTEM**

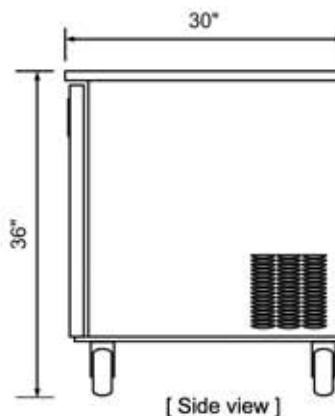
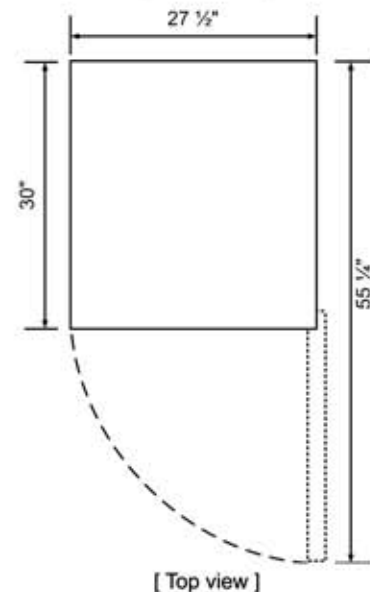
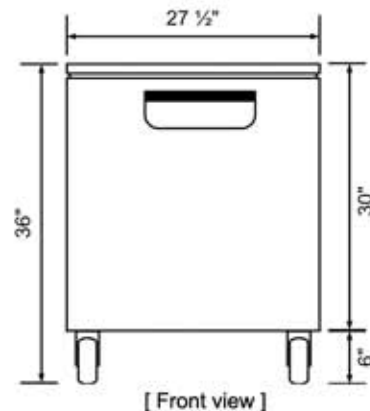
Simple installation with no plumbing. Comes with a 9 foot long cord efficiency.

● **CFC-FREE FOAMED-IN-PLACE POLYURETHANE WITH HIGH DENSITY**

With the extra density and high-capacity cells, There is more energy efficiency.

● **ELEGANT ROUND CORNER**

An elegant design with a more stable appearance and safety benefits



WARRANTY

18 Months Parts and Labor,
5 Years on Compressor in USA

[www. BLUEAIR inc.com](http://www.BLUEAIR inc.com)



15001 S. Broadway St., Gardena, CA. 90248

1-866-677-8500/310-808-0102 Fax : 310-808-0242 / 310-808-0262